

PRODUCT INFORMATION AND SPECIFICATION SHEET

READING LAMPS



READING LAMPS || PRODUCT INFORMATION

DESCRIPTION

Meljac's Tulipe and Roseau surface mounted LED reading lamps feature a flexible arm and a focused 60 degree beam of 3000k non-dimmable light.

Made in France.

PERSONALIZED PLATE DETAILS

FINISHES

Cover plates are made-to-order in any of the finishes included in the [Meljac Finish Catalog](#). Meljac offers over 30 finishes in materials including chrome, copper, gunmetal, nickel, brass and bronze.

Powdercoating is available in any specification from the [RAL Color Chart](#).

Custom-matched finish options are also available, dependent upon project size and finish details.

MECHANISM FINISH

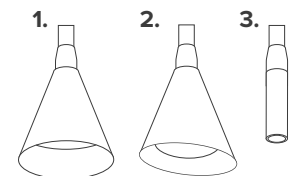
- Chrome - default for copper, chrome, nickel, and gunmetal plates
- Brass - default for brass and bronze plates
- Black Chrome - premium option
- Matched to plate finish - premium option; see [Finish Catalog](#) for available finishes.

MECHANISMS

- V&V - Latching toggle switch that rests up ("ON") or down ("OFF").
- BPE - Latching push button switch that clicks when circuit opens and closes.

Please contact Meljac North America for any specialized control requests or questions.

SCREW TYPE	EDGE TYPE	LAMP BASE	LAMP TYPE
<ul style="list-style-type: none"> • Visible - Torx Head • Visible - Slot Head • Hidden 	<ul style="list-style-type: none"> • Beveled • Straight 	<ul style="list-style-type: none"> • 135-degree bend • No bend 	<ol style="list-style-type: none"> 1. Tulipe with straight cone 2. Tulipe with beveled cone 3. Roseau



POWER SUPPLY AND LIGHTING INFORMATION

Recom RACD04-350 4.2W 350 mA Constant Current transformer (included)
3000K (soft white) CCT
90 CRI
60 degree beam

BACK BOX

117 mm plates with visible screws are compatible with any single-gang box or ring.

117 mm plates with hidden screws must use either the Meljac MELUS11782 back box or a compatible 3rd party option. See [Plate Size and Back Box Guide](#) for options.

Alternate plate sizes are available and will require a proprietary Meljac back box to be used.

Note: back boxes must be installed perfectly level to prevent plate installation from being crooked.

CERTIFICATION

Uses all UL-recognized components.
IP20

CARE / CLEANING INSTRUCTIONS

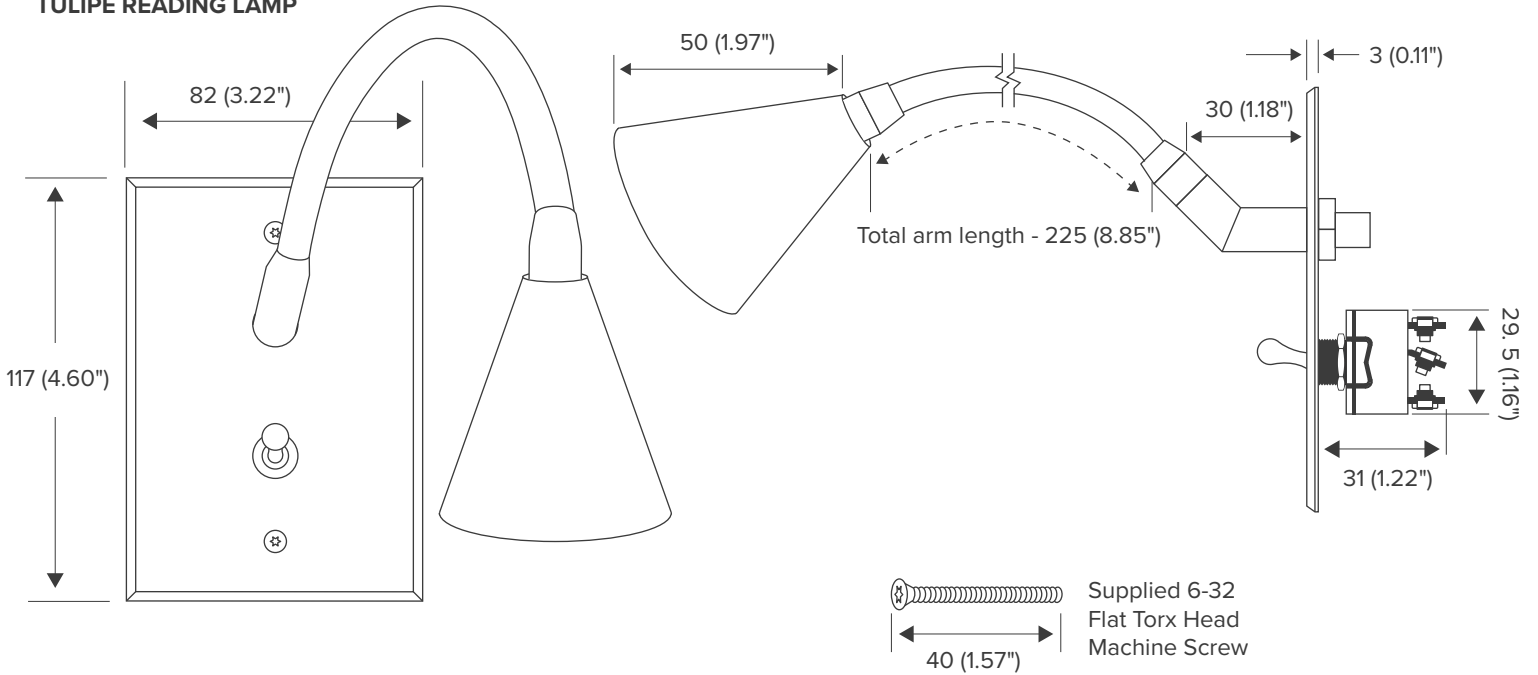
To protect the integrity of the finish, no chemicals or cleaning solutions should ever be used. Dry dust rags or microfiber cloths only.

READING LAMPS || DIMENSIONAL DRAWINGS

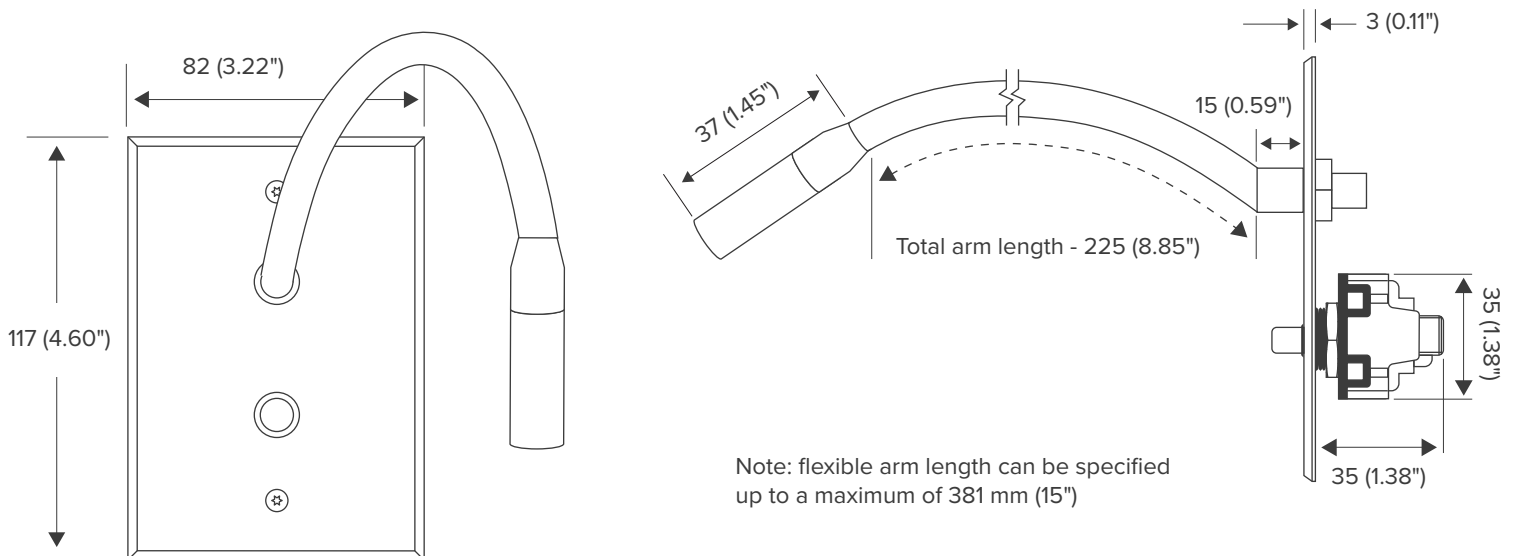
DIMENSIONS & DRAWINGS

Measurements: mm (inches)

TULIPE READING LAMP



ROSEAU READING LAMP



READING LAMPS || SPECIFICATION SHEET

PROJECT NAME: _____

SPECIFIER: _____

PLATE FINISH: _____

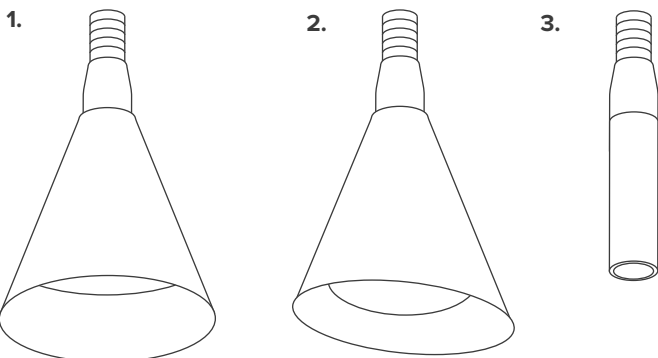
<p>LAMP TYPE <small>Select one</small></p> <p><input type="checkbox"/> Tulipe - Straight Cone</p> <p><input type="checkbox"/> Tulipe - Beveled Cone</p> <p><input type="checkbox"/> Roseau</p>	<p>SCREW TYPE <small>Select one</small></p> <p><input type="checkbox"/> Visible - Torx Head</p> <p><input type="checkbox"/> Visible - Slot Head</p> <p><input type="checkbox"/> Hidden</p>	<p>EDGE TYPE <small>Select one</small></p> <p><input type="checkbox"/> Beveled</p> <p><input type="checkbox"/> Straight</p> <hr/> <p>BASE TYPE <small>Select one</small></p> <p><input type="checkbox"/> No Bend</p> <p><input type="checkbox"/> 135-degree Bend</p>	<p>BACK BOX <small>Select one</small></p> <p><input type="checkbox"/> Meljac MELUS11782 (metal / new construction)</p> <p><input type="checkbox"/> Single-gang plaster ring (must confirm hidden screw compatibility)</p> <p><input type="checkbox"/> Cantex 1-gang EZ-Box</p> <p><input type="checkbox"/> 3rd Party - Manufacturer + Model Number: _____</p>
---	---	--	--

<p>MECHANISM (TOGGLE / PUSH BUTTON) <small>Select one</small></p> <p><input type="checkbox"/> V&V - On/Off Toggle Switch</p> <p><input type="checkbox"/> BPE - On/Off Push Button</p>	<p>MECHANISM (TOGGLE / PUSH BUTTON) FINISHES <small>Select one</small></p> <p><input type="checkbox"/> Chrome - Mechanism finish for chrome, copper, gunmetal and nickel plates</p> <p><input type="checkbox"/> Brass - Mechanism finish for brass and bronze plates</p> <p><input type="checkbox"/> Black Chrome - Premium option</p> <p><input type="checkbox"/> Matched to plate finish - Premium option; see Finish Catalog for confirmation.</p>
--	--

VISUAL REFERENCES

LAMP TYPE

1. Tulipe with straight cone
2. Tulipe with beveled cone
3. Roseau



BASE TYPE

1. 135-degree bend
2. No bend

