

PRODUCT INFORMATION AND SPECIFICATION SHEET

SOLARIS KEYPADS – 84 MM



SOLARIS KEYPADS – 84 MM || PRODUCT INFORMATION

DESCRIPTION

Solaris collection keypads for use with lighting control / home automation systems, compatible systems include Crestron, Control4, Lutron HomeWorks, Savant and Vantage. Designed in partnership with Sir Marc Newson.

Made in France.

PERSONALIZED PLATE DETAILS

FINISHES

Cover plates are made-to-order in any of the finishes included in the [Meljac Finish Catalog](#). Meljac offers over 30 finishes in materials including chrome, copper, gunmetal, nickel, brass and bronze.

Powdercoating is available in any specification from the [RAL Color Chart](#).

Custom-matched finish options are also available, dependent upon project size and finish details.

MECHANISM OPTIONS

Low-voltage momentary dry contact toggles and push buttons for use in class-2 wiring circuits only.

- BP - Momentary Push Button ("normally-open"). One contact closure.
- INV - Three-position toggle switch, returns to center position. Two contact closures ("UP" and "DOWN").
- INV M - Three position latching toggle switch. Switch can rest up at "UP" contact, center "OFF", or "DOWN" contact. Two maintained contact closures.

Mechanisms can be combined and configured according to project control needs.

Note: Additional low-voltage control options available. Contact MNA for more information.

MECHANISM FINISH

- Matched to plate finish - see [Finish Catalog](#) for available finishes.

MECHANISM SURROUND FINISH

- Glossy black - default
- Chrome
- Brushed brass

SCREW TYPE

- Hidden

EDGE TYPE

- Straight

LED FEEDBACK

- 3 mm or 8 mm LED Indicators
- Backlit Engravings
- 12V or 24V remote power required.

ENGRAVINGS

Default: 3 mm / Arial Font / Mechanical Style
9 characters per line + 2 lines per mechanism
See [MNA Engraving Options](#) for more details.

BACK BOX

MEL8080

See our [Plate Size & Back Box Guide](#) for more information.

CERTIFICATION

Conforms to UL 916 and CSA-C22.2 No. 205-12 IP20



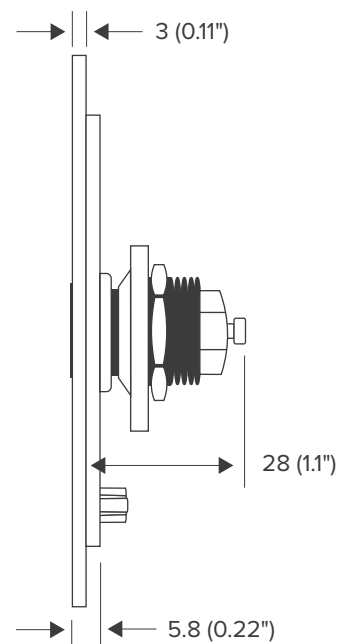
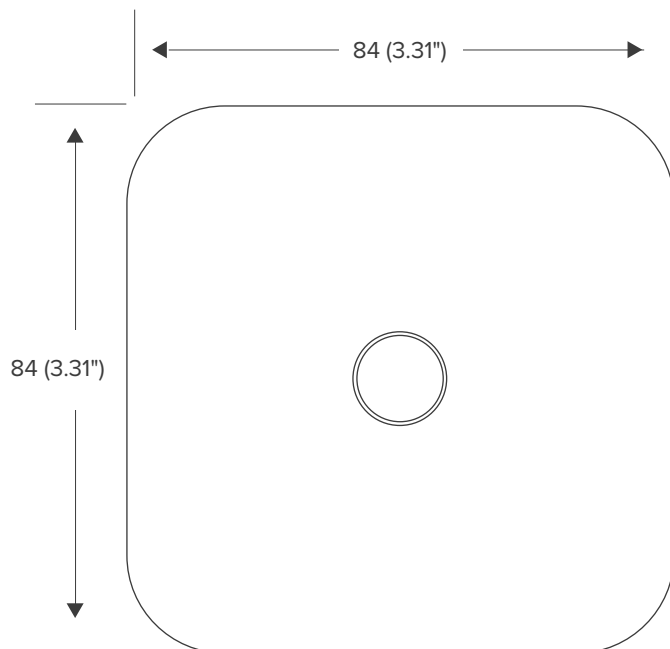
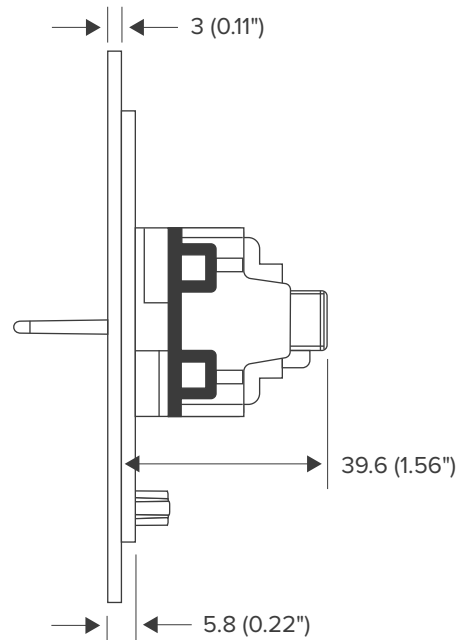
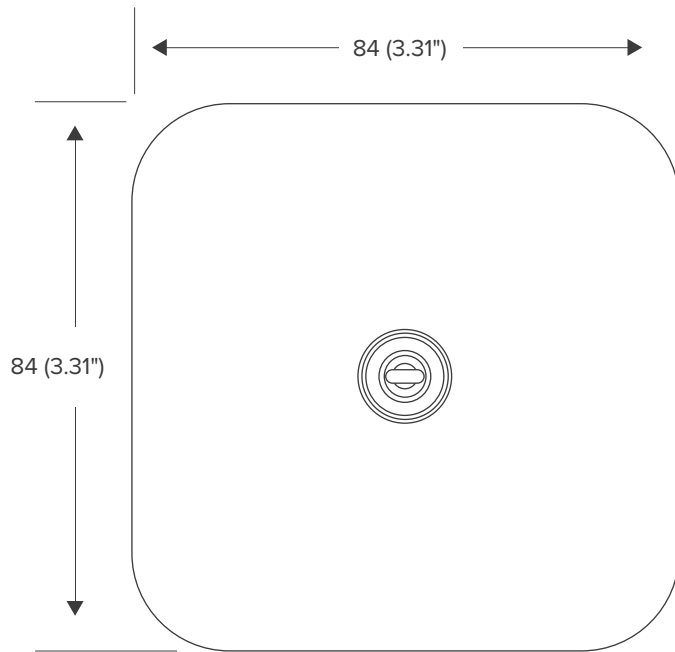
CARE / CLEANING INSTRUCTIONS

To protect the integrity of the finish, no chemicals or cleaning solutions should ever be used. Dry dust rags or microfiber cloths only.

SOLARIS KEYPADS – 84 MM || DIMENSIONAL DRAWINGS

DIMENSIONAL DRAWINGS

Measurements: mm (inches)



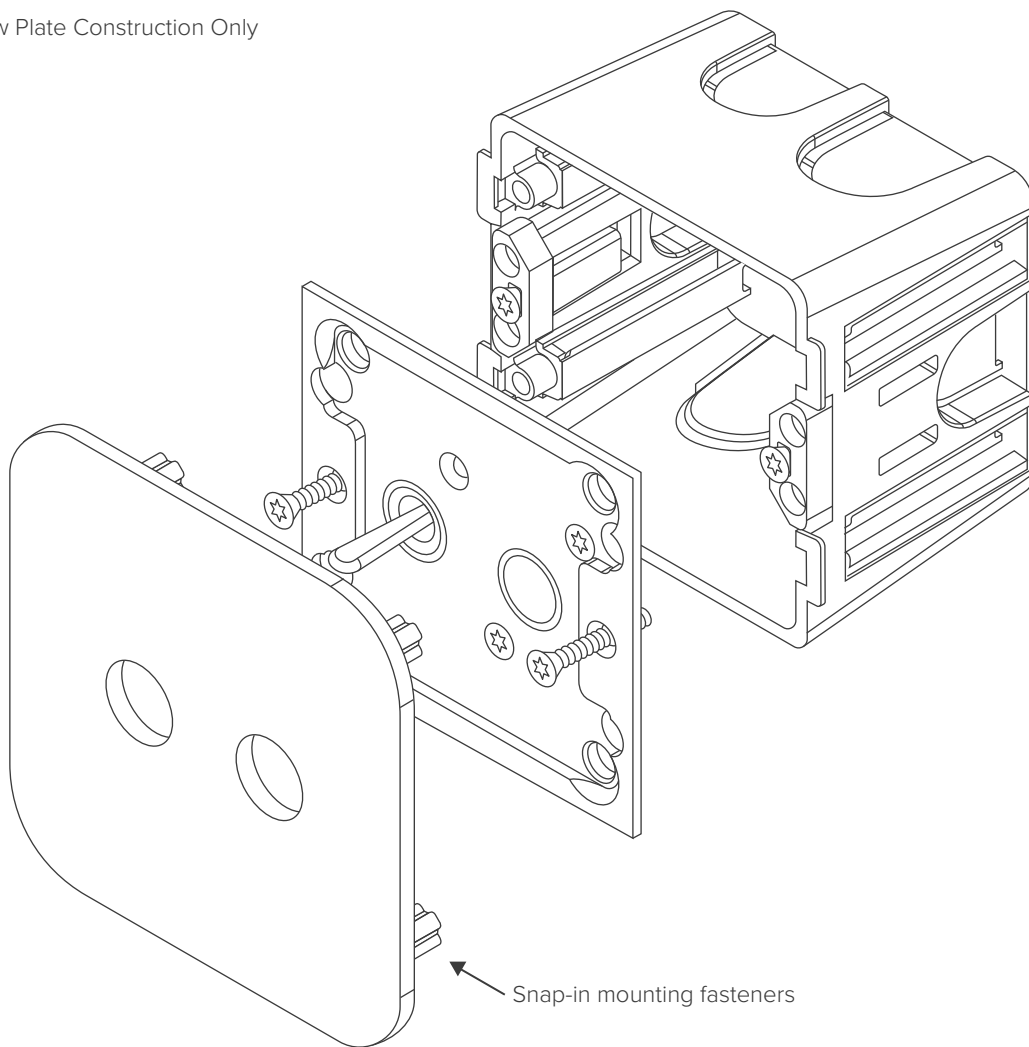
SOLARIS KEYPADS – 84 MM || MOUNTING DRAWINGS

BACK BOX

MEL8080

See our [Plate Size & Back Box Reference Guide](#) for more information.

Hidden Screw Plate Construction Only



SOLARIS KEYPADS – 84 MM SPECIFICATION SHEET

PROJECT NAME: _____

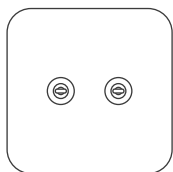
SPECIFIER: _____

PLATE FINISH: _____

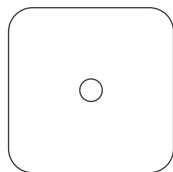
MECHANISM SURROUND FINISH Select one

- Glossy Deep Black - default
- Polished Chrome
- Brushed Brass

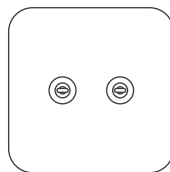
TOGGLE / PUSH BUTTON CONFIGURATIONS Select one



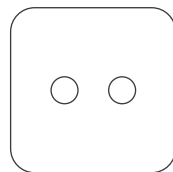
1 INV



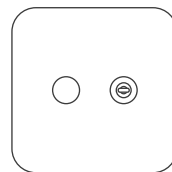
1 BP



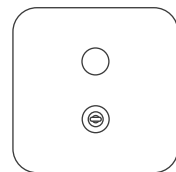
2 INV



2 BP



1 BP+1 INV



1 BP+1 INV(C)

ENGRAVINGS

PLACEMENT Select one

- Above Mechanism
- Below Mechanism
- No Engravings

STYLE Select one

- Mechanical
- Resin-filled: RAL Color _____
- Screen-Printed
- Back-lit

FONT Select one

- Arial
- Helvetica
- Custom _____

SIZE Select one

- 3 mm
- 3.5 mm
- 4 mm
- Custom _____