

PRODUCT INFORMATION AND SPECIFICATION SHEET

CLASSIQUE KEYPADS – 82 MM



CLASSIQUE KEYPADS – 82 MM || PRODUCT INFORMATION

DESCRIPTION

Classique collection push buttons and toggles for use with lighting control / home automation systems. Compatible systems include Crestron, Control4, Lutron HomeWorks, Savant and Vantage.

Made in France.

PERSONALIZED PLATE DETAILS

FINISHES

Cover plates are made-to-order in any of the finishes included in the [Meljac Finish Catalog](#). Meljac offers over 30 finishes in materials including chrome, copper, gunmetal, nickel, brass and bronze.

Powdercoating is available in any specification from the [RAL Color Chart](#).

Custom-matched finish options are also available, dependent upon project size and finish details.

MECHANISM OPTIONS

Low-voltage momentary dry contact toggles and push buttons for use in class-2 wiring circuits only.

- BP - Momentary Push Button ("normally-open"). One contact closure.
- INV - Three-position toggle switch, returns to center position. Two contact closures ("UP" and "DOWN").
- INV M - Three position latching toggle switch. Switch can rest up at "UP" contact, center "OFF", or "DOWN" contact. Two maintained contact closures.

Mechanisms can be combined and configured according to project control needs.

Note: Additional low-voltage control options available. Contact MNA for more information.

MECHANISM FINISH

- Chrome - default for copper, chrome, nickel and gunmetal plates
- Brass - default for brass and bronze plates
- Black Chrome - premium option
- Matched to plate finish - premium option; see [Finish Catalog](#) for available finishes.

SCREW TYPE

- Visible - Torx Head
- Visible - Slot Head
- Hidden

EDGE TYPE

- Beveled
- Straight

LED FEEDBACK

- 3 mm or 8 mm LED Indicators
- Backlit Engravings
- 12V or 24V remote power required.

ENGRAVINGS

Default: 3 mm / Arial Font / Mechanical Style

9 characters per line + 2 lines per mechanism

See [MNA Engraving Options](#) for more details.

BACK BOX

Recommended: MELUS8282R - Metal ring for 3rd party 4" x 4" electrical boxes.

Alternate Option: MEL8080 plastic cut-in box.

See our [Plate Size & Back Box Guide](#) for more information.

CERTIFICATION

Conforms to UL 916 and CSA-C22.2 No. 205-12 IP20



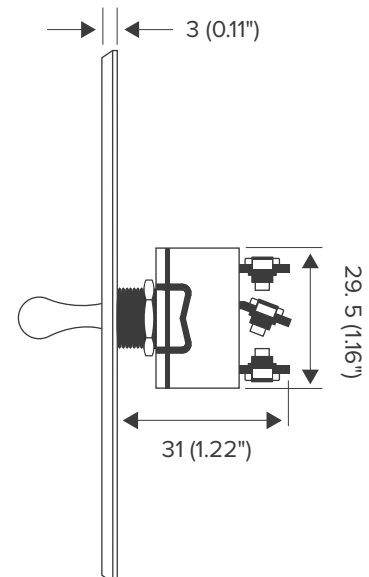
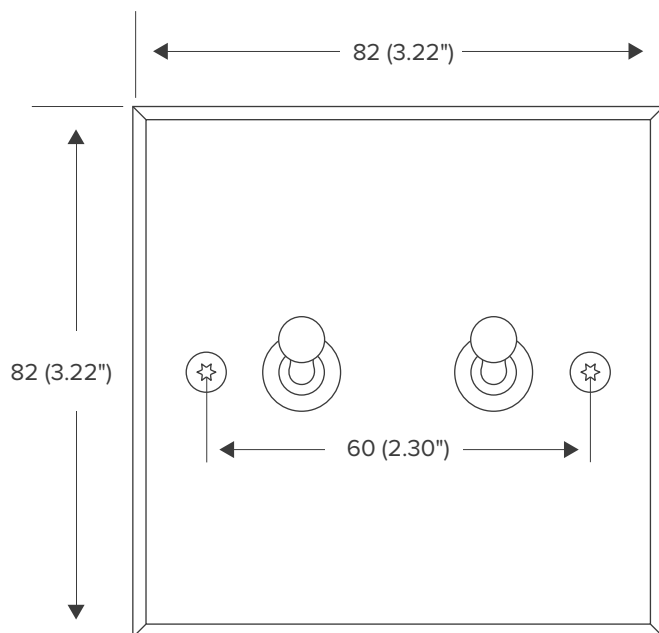
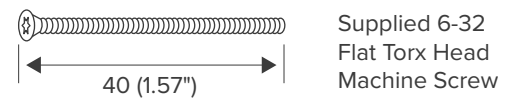
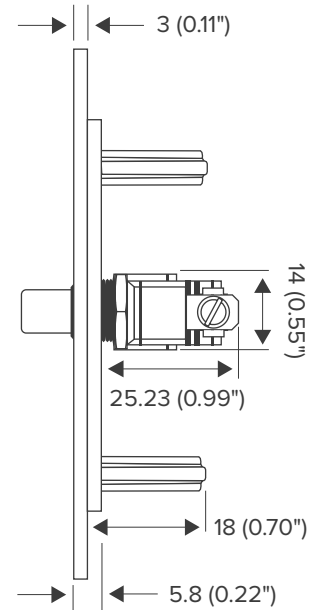
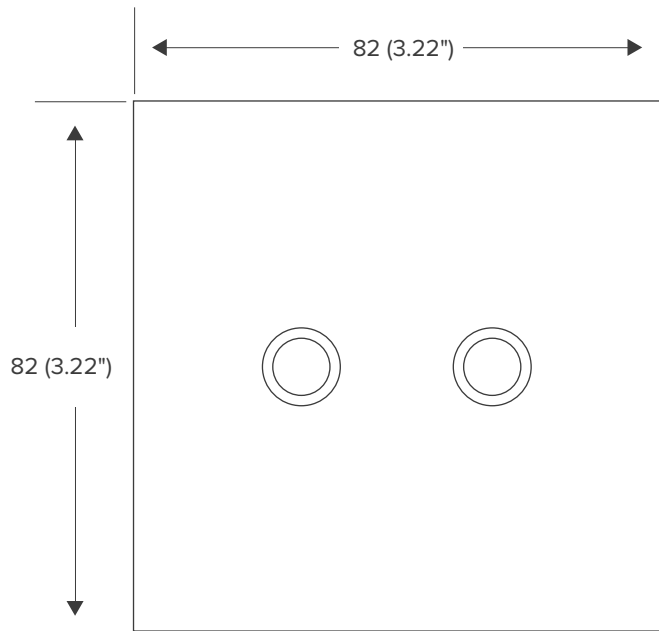
CARE / CLEANING INSTRUCTIONS

To protect the integrity of the finish, no chemicals or cleaning solutions should ever be used. Dry dust rags or microfiber cloths only.

CLASSIQUE KEYPADS – 82 MM || DIMENSIONAL DRAWINGS

DIMENSIONAL DRAWINGS

Measurements: mm (inches)

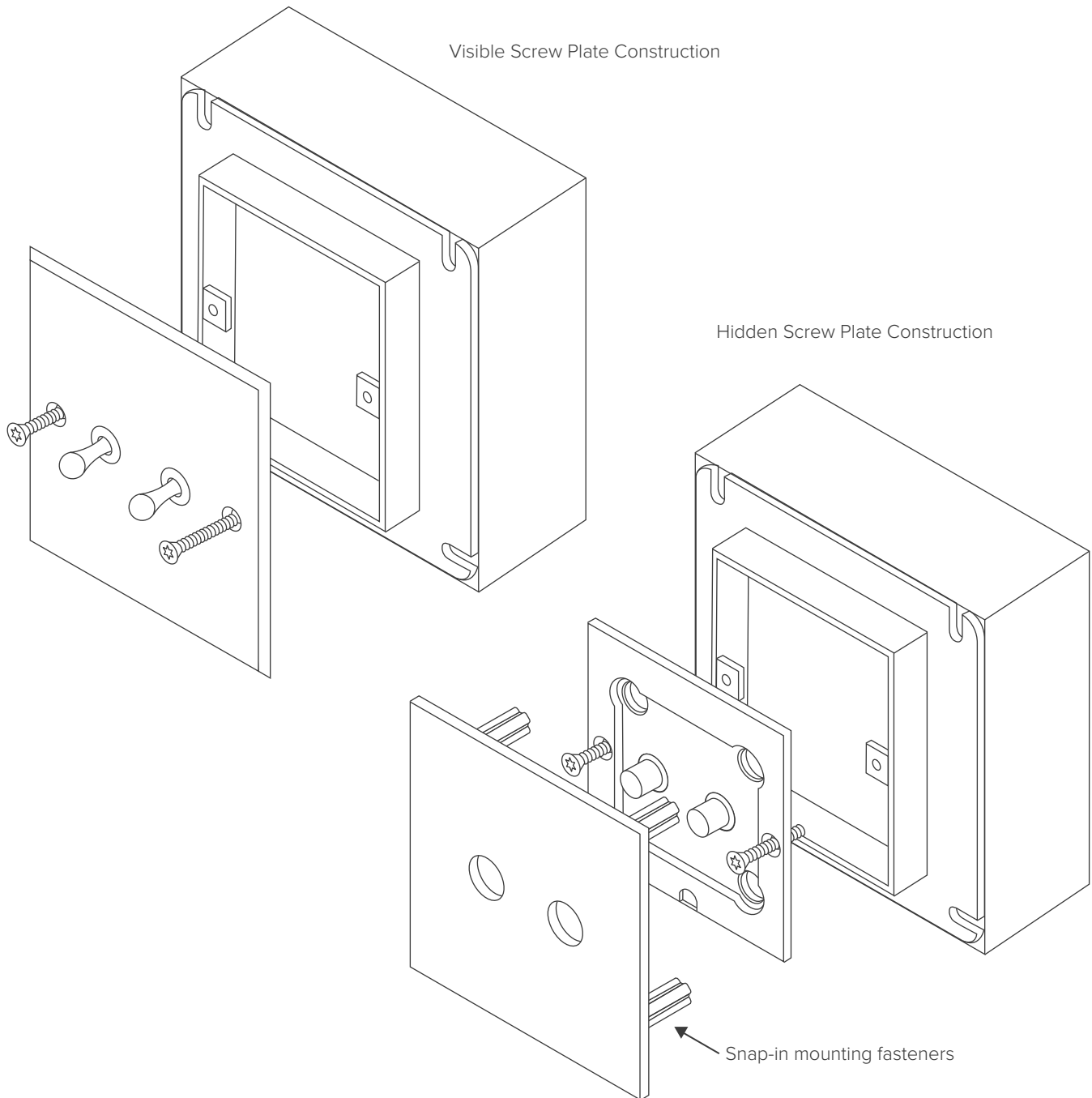


CLASSIQUE KEYPADS – 82 MM || MOUNTING DRAWINGS

BACK BOX

MELUS8282R - Metal ring for 3rd party 4" x 4" electrical boxes.

See our [Plate Size & Back Box Reference Guide](#) for more information.



CLASSIQUE KEYPADS – 82 MM || SPECIFICATION SHEET

PROJECT NAME: _____

SPECIFIER: _____

PLATE FINISH: _____

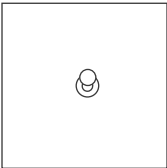
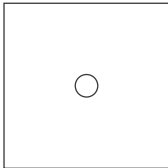
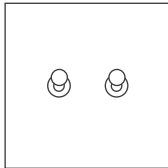
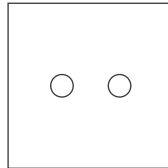
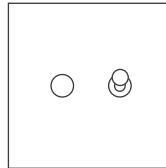
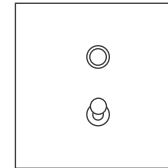
<p>SCREW TYPE <small>Select one</small></p> <p><input type="checkbox"/> Visible - Torx Head</p> <p><input type="checkbox"/> Visible - Slot Head</p> <p><input type="checkbox"/> Hidden</p>	<p>EDGE TYPE <small>Select one</small></p> <p><input type="checkbox"/> Beveled</p> <p><input type="checkbox"/> Straight</p>	<p>BACK BOX <small>Select one</small></p> <p><input type="checkbox"/> MELUS8282R (metal ring for standard 4S junction box)</p> <p><input type="checkbox"/> MEL8080 (plastic cut-in box)</p>
---	--	--

MECHANISMS

MECHANISM (TOGGLE / PUSH BUTTON) FINISHES Select one

- Chrome - default finish for chrome, copper, gunmetal and nickel plates
- Brass - default finish for brass and bronze plates
- Black Chrome - premium option
- Matched to plate finish - premium option; see [Finish Catalog](#) for available finishes.

TOGGLE / PUSH BUTTON CONFIGURATIONS Select one

					
<input type="checkbox"/> 1 INV	<input type="checkbox"/> 1 BP	<input type="checkbox"/> 2 INV	<input type="checkbox"/> 2 BP	<input type="checkbox"/> 1 BP+1 INV	<input type="checkbox"/> 1 BP+1 INV(C)

Note: if an alternate configuration is required, please contact Meljac North America for confirmation.

ENGRAVINGS

<p>PLACEMENT <small>Select one</small></p> <p><input type="checkbox"/> Above Mechanism</p> <p><input type="checkbox"/> Below Mechanism</p> <p><input type="checkbox"/> No Engravings</p>	<p>STYLE <small>Select one</small></p> <p><input type="checkbox"/> Mechanical</p> <p><input type="checkbox"/> Resin-filled: RAL Color _____</p> <p><input type="checkbox"/> Screen-Printed</p> <p><input type="checkbox"/> Back-lit</p>	<p>FONT <small>Select one</small></p> <p><input type="checkbox"/> Arial</p> <p><input type="checkbox"/> Helvetica</p> <p><input type="checkbox"/> Custom _____</p>	<p>SIZE <small>Select one</small></p> <p><input type="checkbox"/> 3 mm</p> <p><input type="checkbox"/> 3.5 mm</p> <p><input type="checkbox"/> 4 mm</p> <p><input type="checkbox"/> Custom _____</p>
---	--	---	--