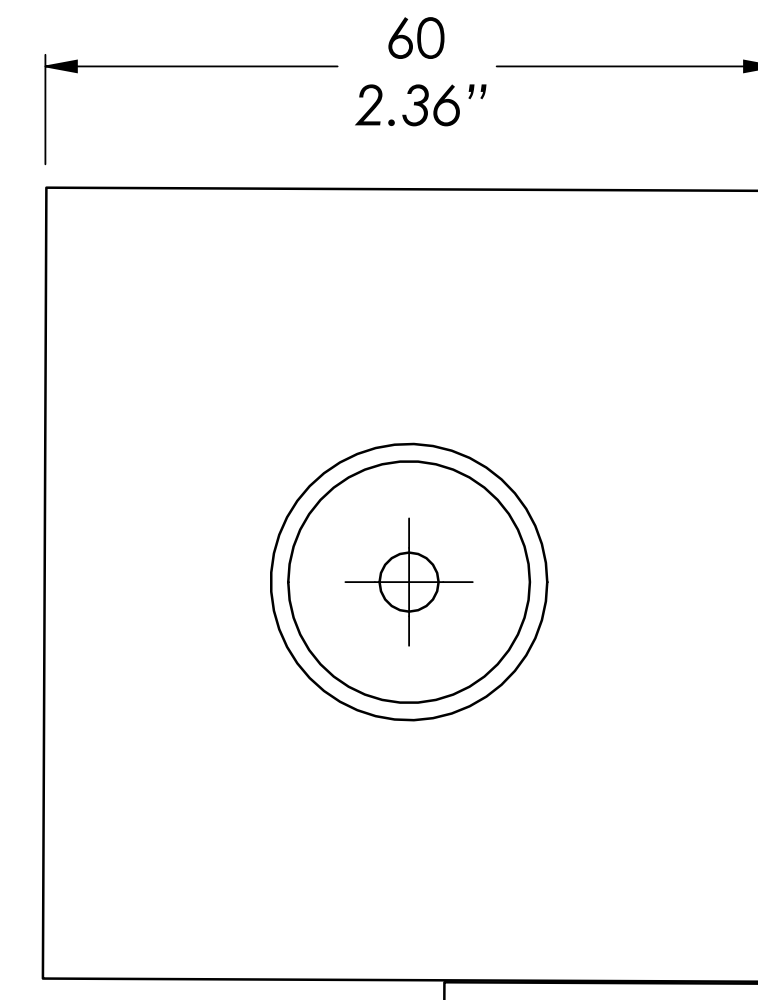
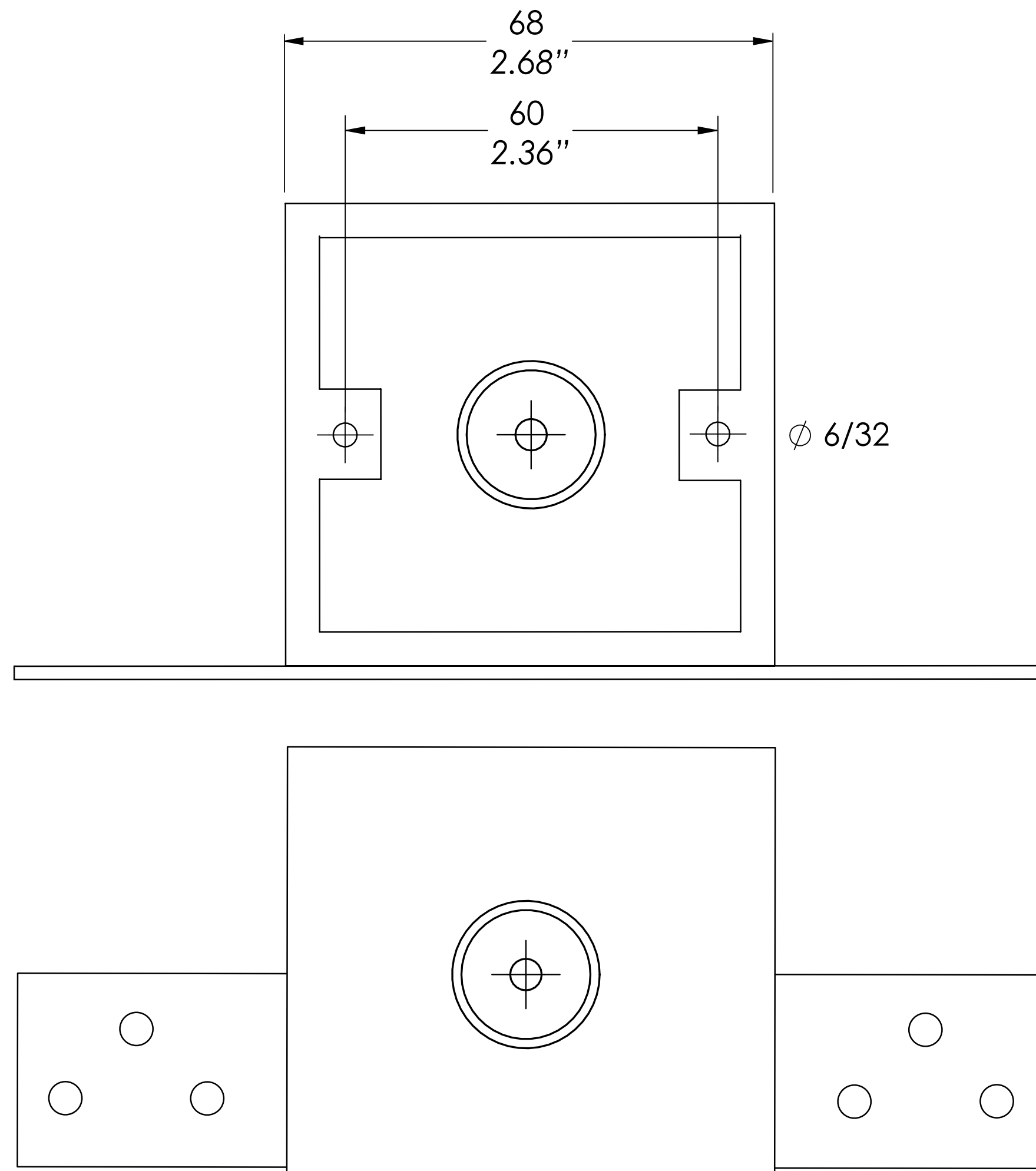


MELUSFL100-A

UL Catalog #USUFL8060

MELJAC ■



Electrical Box for Meljac Cover Plates

Plate Size: 82 x 82 mm

This drawing is the sole property of Meljac and is not to be reproduced or shared without prior written consent.

