

PLATE SIZE & BACK BOX GUIDE

Overview

Meljac keypads and outlet plates are made-to-order based on client specification. Toggles, push-buttons, power receptacles and low-voltage ports can all be combined in various configurations and plate sizes.

All rectangular plate sizes can be ordered and installed in either vertical or horizontal orientations.

Below are the maximum number of momentary toggle switches (INV), push buttons (BP) and power receptacles able to be accommodated by each plate size, along with accompanying back box information.

Meljac Plate Sizes and Back Boxes

Meljac Plate Size (mm)	82 x 82 x 3	82 x 117 x 3	82 x 144 x 3	82 x 207 x 3	82 x 269 x 3	100D X 14 or 100 x 100 x 14 Single Floor Outlet	180 x 100 x 14 Double Floor Outlet
Meljac Plate Size (inches)	3.2 x 3.2 x .11	3.2 x 4.6 x .11	3.2 x 5.7 x .11	3.2 x 8.1 x .11	3.2 x 10.6 x .11	3.9D / 3.9 x 3.9 x .55	7.1 x 3.9 x .55
Max. Push Buttons (BP)	4	6	8	12	16	2	2
Max. Toggles (INV)	3	4	6	10	14	1	2
Max. Power Receptacles/ Low-voltage Ports	1/2	2/4	3/6	4/10	5/14	1/2	2/4
Metal Meljac Back Box	MELUS8282R (Fits Standard 4 x 4 Junction Box)	MELUS11782	MELUS14482	MELUS20782	MELUS26982	MELUSFL100	MELUSFL180
Non-Meljac Box Options	N/A	See Page 7.	N/A	N/A	N/A	N/A	N/A

Notes

1) Plate size and mechanism maximums are based on Meljac screw-connection push buttons and toggles (Classique and Damier collections.) The Ellipse collection of push buttons and toggles requires a stab-in connection that has larger internal components. For the Ellipse collection, the maximum number of push button and toggles is reduced by one component per column of controls.

2) The back boxes included in this document are metal UL-listed boxes intended for new construction. For keypad plates that require a "cut-in" style box, clients may also choose to use Meljac's Plastic boxes. Contact Meljac North America for more information.

3) For Meljac's slim (38 mm wide) keypad plates, please see the 38 mm Keypad Plate Size & Back Box Guide.

4) Meljac plates can also be made to fit standard US Gang Boxes.

PLATE SIZE & BACK BOX GUIDE || INSTALLATION

Back Box Installation

- 1) Confirm that the appropriate back box is used for the corresponding Meljac plate size.
- 2) Meljac metal back boxes include with bracket to attach to wood stud for new construction.
- 3) Back box must be mounted at a level position. Plate will not allow for leveling adjustment.
- 4) Back box should be installed flush with finished wall surface, and cannot be proud of the wall surface.
- 5) Back box can be mounted in either a horizontal or vertical orientation, depending upon the plate specification on your order. Be sure to check the specification details prior to installing the back box.
- 6) Minimum recommended back box depth is 54 mm (2-1/8").

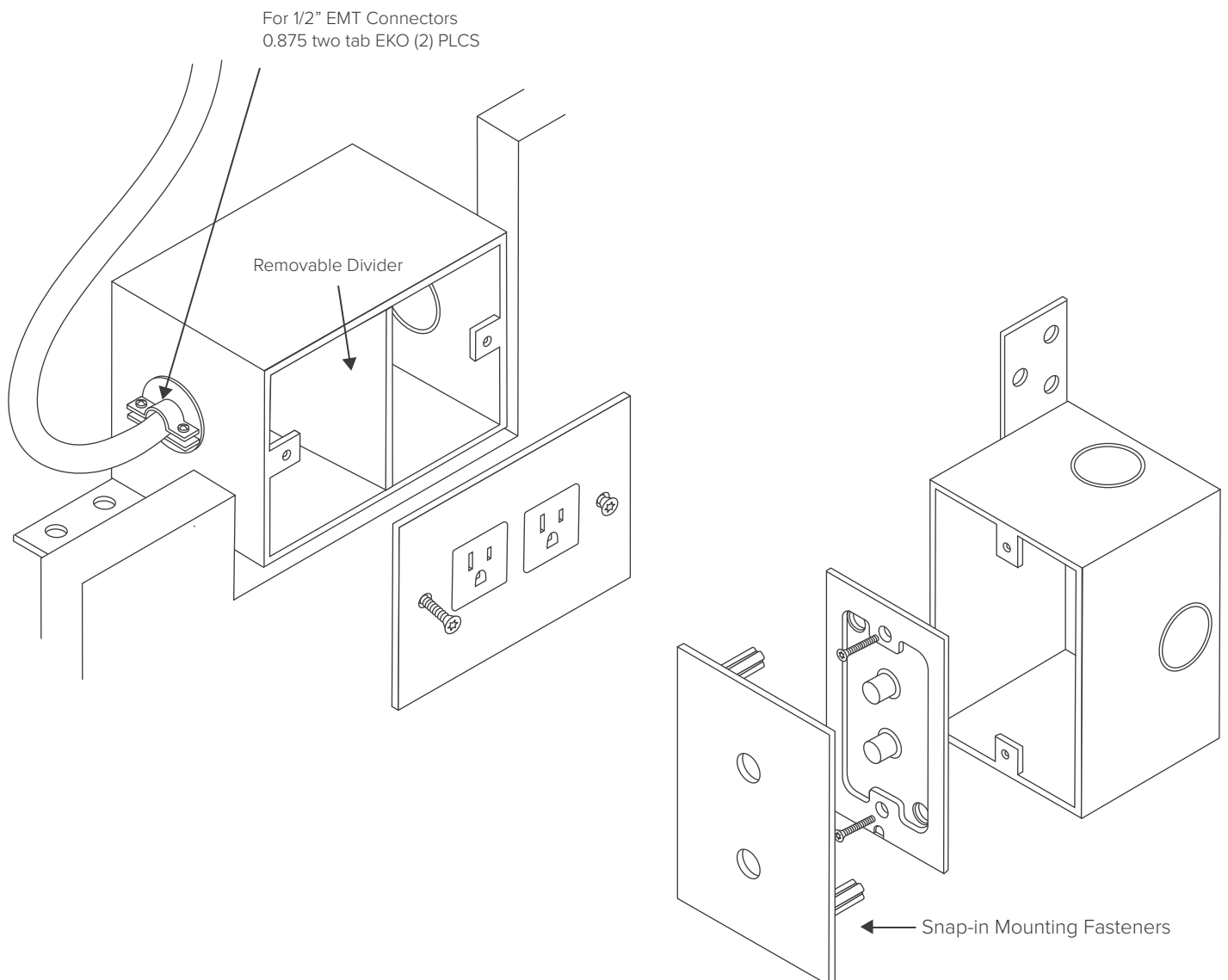
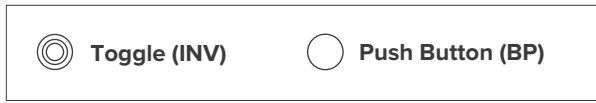


PLATE SIZE & BACK BOX GUIDE || KEYPADS AND WALL OUTLETS



82 x 82 x 3mm (3.2" x 3.2" x 0.11")

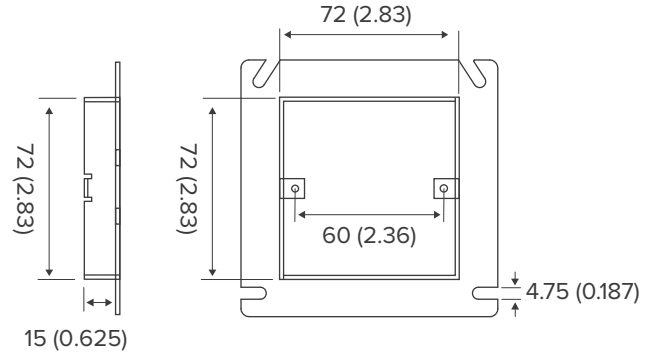
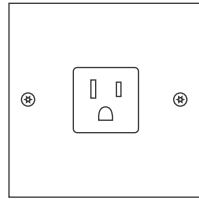
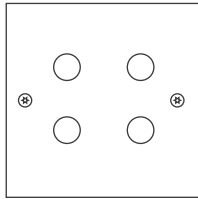
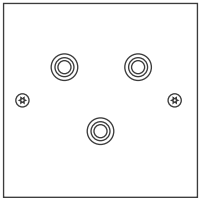
Backbox Reference - MELUS8282R*

Maximum number of mechanisms per plate:

3 INV

4 BP

1 Receptacle



*Ring adapter for standard 4" x 4" electrical box.

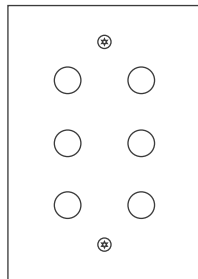
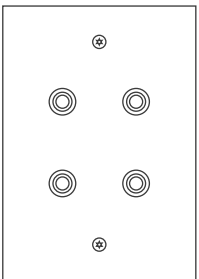
82 x 117 x 3mm (3.2" x 4.6" x 0.11")

Backbox Reference - MELUS11782**

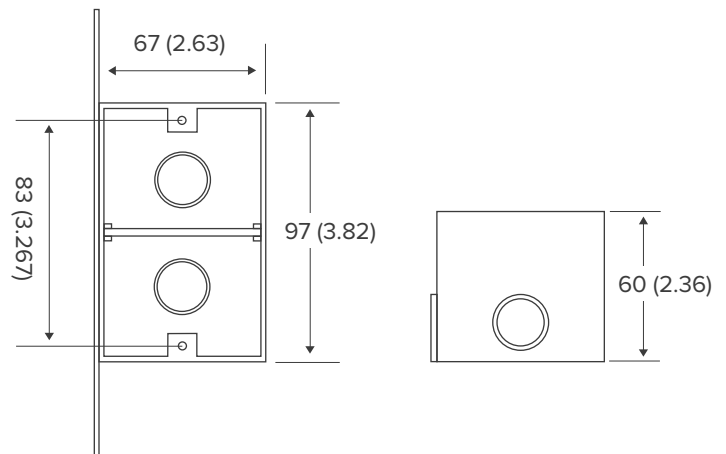
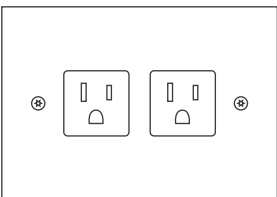
Maximum number of mechanisms per plate:

4 INV

6 BP



2 Receptacles



117 mm plates with **visible screws are compatible with standard single-gang boxes or rings.

117 mm plates with **hidden** screws are compatible with select third-party back boxes. See page 7 for more information and compatible manufacturers/part numbers.

PLATE SIZE & BACK BOX GUIDE || KEYPADS AND WALL OUTLETS

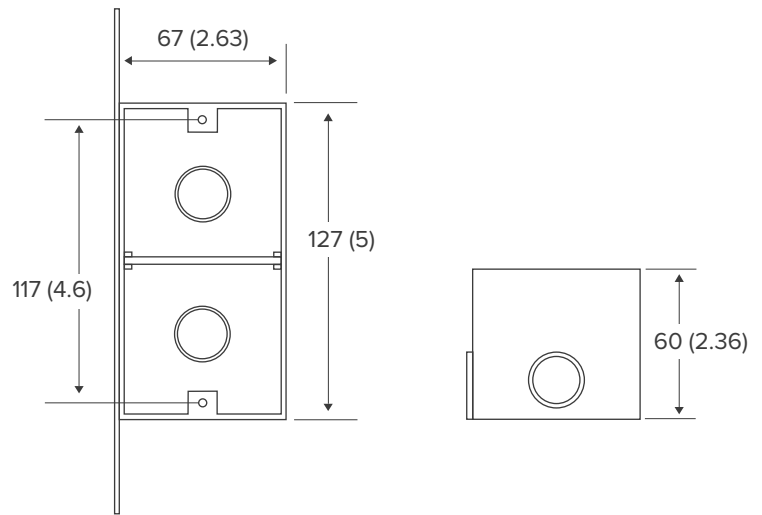
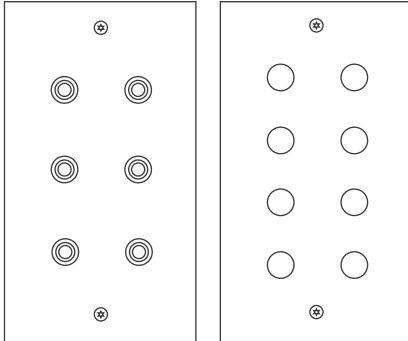
82 x 144 x 3mm (3.2" x 5.7" x 0.11")

Backbox Reference - MELUS14482

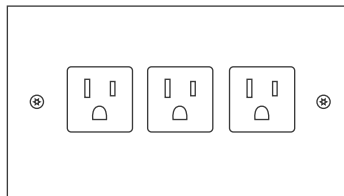
Maximum number of mechanisms per plate:

6 INV

8 BP



3 Receptacles



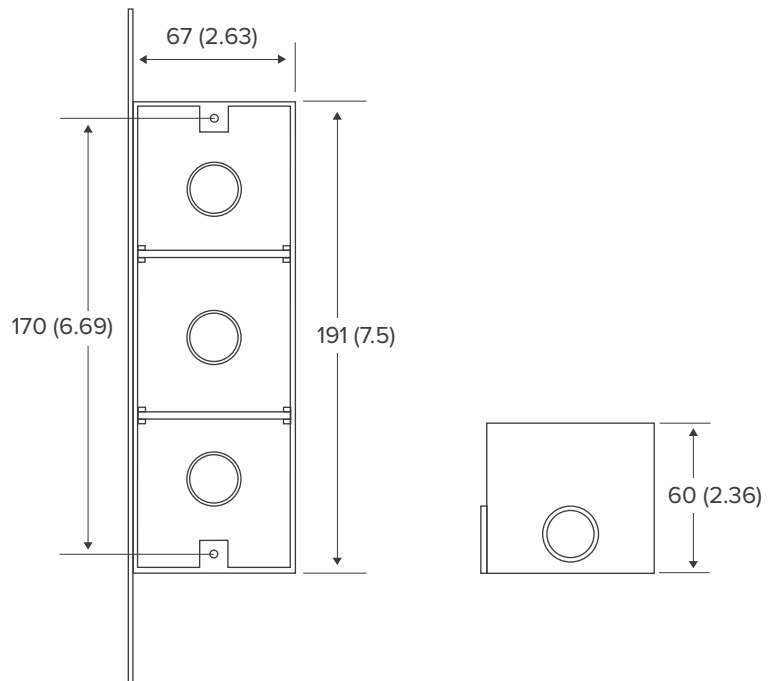
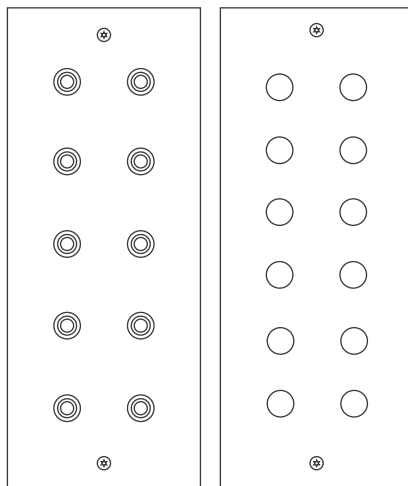
82 x 207 x 3mm (3.2" x 8.1" x 0.11")

Backbox Reference - MELUS20782**

Maximum number of mechanisms per plate:

10 INV

12 BP



4 Receptacles

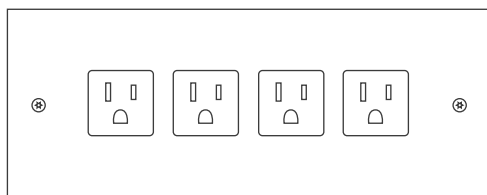


PLATE SIZE & BACK BOX GUIDE || KEYPADS AND WALL OUTLETS

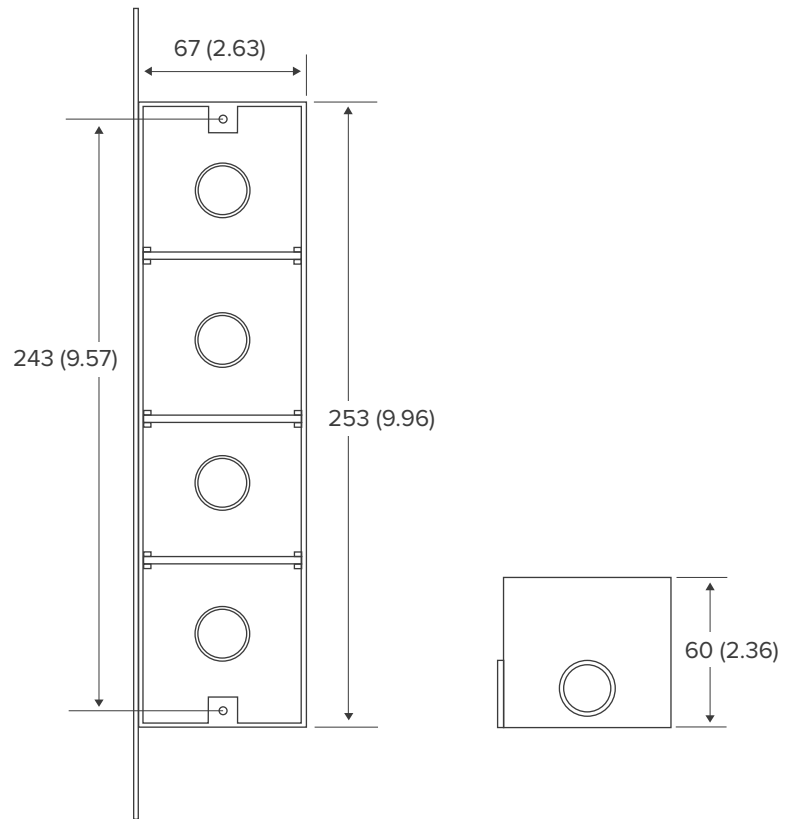
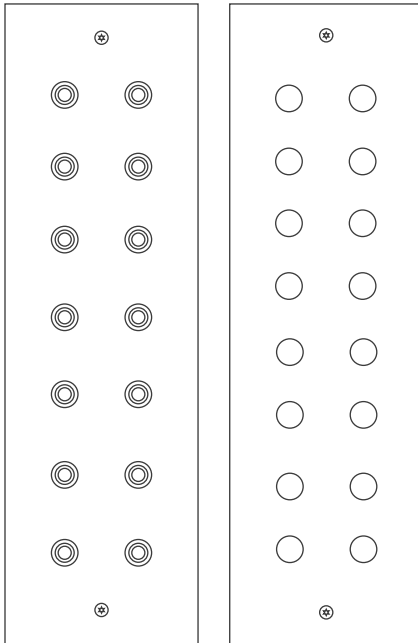
82 x 269 x 3mm (3.2" x 10.6" x 0.11")

Backbox Reference - MELUS26982

Maximum number of mechanisms per plate:

14 INV

16 BP



5 Receptacles

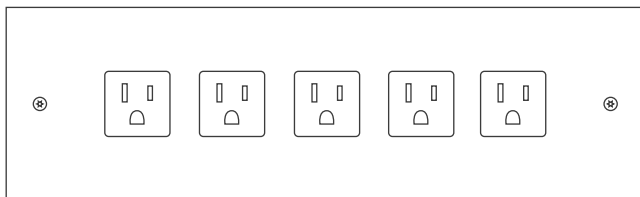
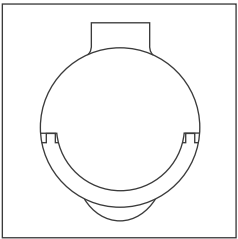


PLATE SIZE & BACK BOX GUIDE || FLOOR OUTLETS

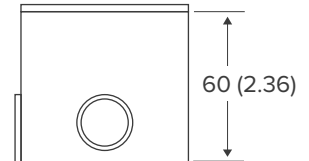
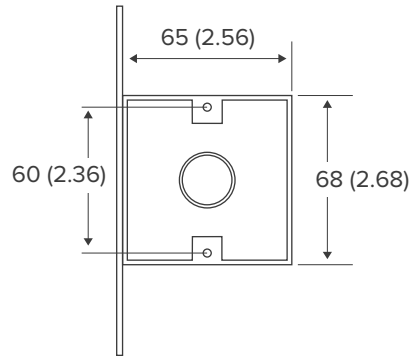
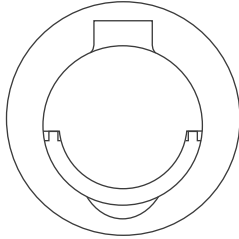
100D x 14mm or 100 x 100 x 14mm (3.93"D or 3.9" x 3.9" x .55")

Backbox Reference - MELUSFL100

1 Receptacle



1 Receptacle



180 x 100 x 14mm (7.1" x 3.9" x .55")

Backbox Reference - MELUSFL180

2 Receptacles

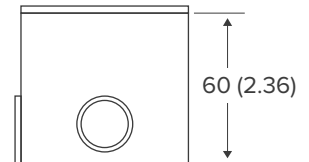
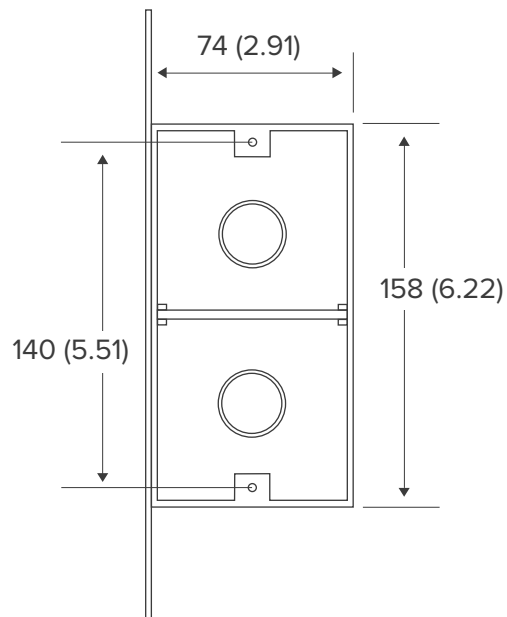
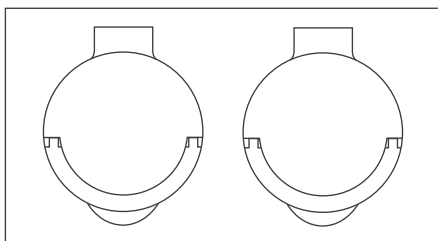


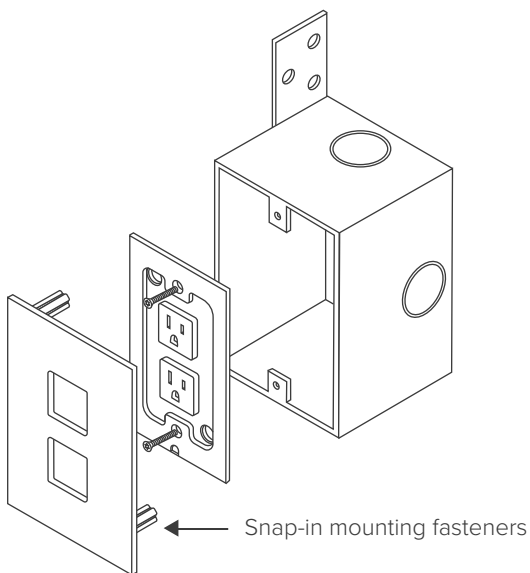
PLATE SIZE & BACK BOX GUIDE || 117 MM PLATES – THIRD PARTY BACK BOXES

Meljac 82 x 117 mm or 117 x 82 mm plates may also be used with standard single-gang back boxes or rings from third-party manufacturers.

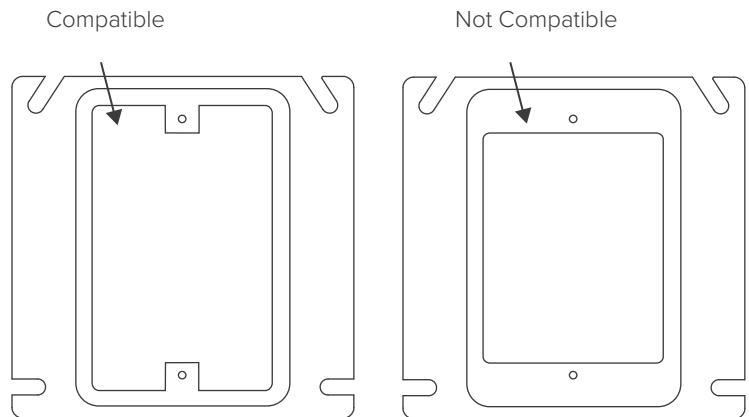
For plates with visible screws, any manufacturer's box or ring is compatible.

For plates with hidden screws, it is imperative that you confirm compatibility of the part number or design and specify the third-party back box when placing your Meljac order. Meljac's hidden screw plates utilize an aluminum mounting plate that houses the plate components and screws into the back box. This plate is machined and designed according to the specific back box cutout and therefore using a non-specified box can prevent a successful installation.

Hidden Screw Plate Drawing Example:



For single-gang rings, the ring design must be one that employs a tab for the screw tap. Rings with a screw tap across the top and bottom of the ring frame are not compatible with Meljac hidden screw plates.



Manufacturer	Type	Material	Part Number
Arlington	LV Ring	Nonmetallic	LV1
Cantex	Old Work box	Nonmetallic	EZ21SO
Cantex	New Work Box	Nonmetallic	EZ20SN, EZ23SN
Cantex	1-Gang Ring	Nonmetallic	EZ03SXA, EZ04ES, EZ05ES, EZ06ES, EZ08ES
Carlson	New Work Ring	Nonmetallic	B118A, B120A, B118B, B122A, BH122A, BH122S
Carlson	LV Bracket	Nonmetallic	SC100A
Carlson	Old Work box	Nonmetallic	BH118R
Raco	1-Gang Ring	Metal	771, 8771, 772, 8772, 773, 8773, 768, 8768
Steel City	1-Gang Ring	Metal	52 C 13, 52 C 14, 52 C 14 5/8, 52 C 15, 52 C 16

Note: other back box models can be compatible with hidden screw plates. If you would like to use a back box that is not in the above list, please contact Meljac North America.