

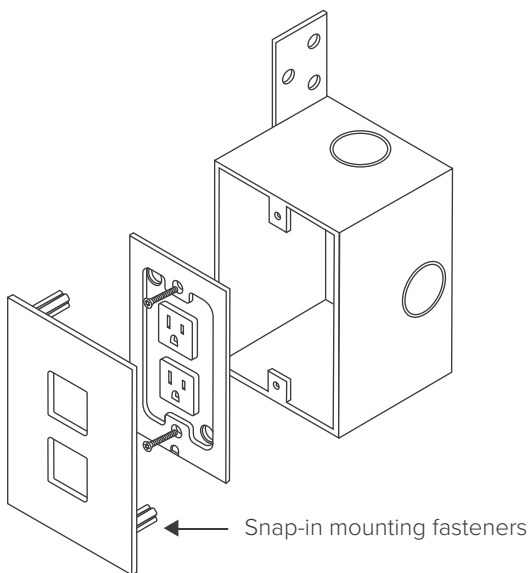
PLATE SIZE & BACK BOX GUIDE || 117 MM PLATES – THIRD PARTY BACK BOXES

Meljac 82 x 117 mm or 117 x 82 mm plates may also be used with standard single-gang back boxes or rings from third-party manufacturers.

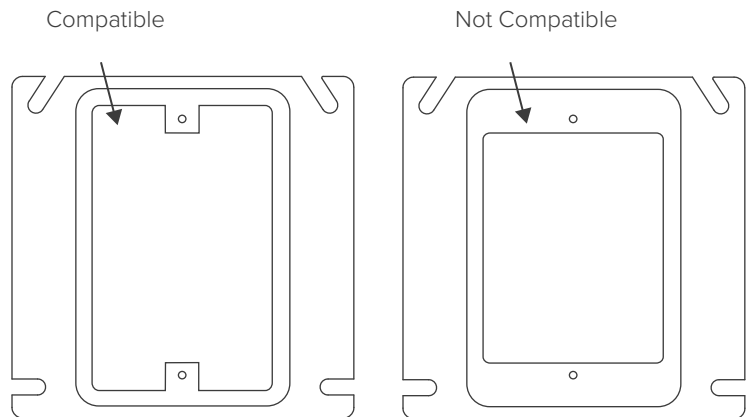
For plates with visible screws, any manufacturer's box or ring is compatible.

For plates with hidden screws, it is imperative that you confirm compatibility of the part number or design and specify the third-party back box when placing your Meljac order. Meljac's hidden screw plates utilize an aluminum mounting plate that houses the plate components and screws into the back box. This plate is machined and designed according to the specific back box cutout and therefore using a non-specified box can prevent a successful installation.

Hidden Screw Plate Drawing Example:



For single-gang rings, the ring design must be one that employs a tab for the screw tap. Rings with a screw tap across the top and bottom of the ring frame are not compatible with Meljac hidden screw plates.



Manufacturer	Type	Material	Part Number
Arlington	LV Ring	Nonmetallic	LV1
Cantex	Old Work box	Nonmetallic	EZ21SO
Cantex	New Work Box	Nonmetallic	EZ20SN, EZ23SN
Cantex	1-Gang Ring	Nonmetallic	EZ03SXA, EZ04ES, EZ05ES, EZ06ES, EZ08ES
Carlson	New Work Ring	Nonmetallic	B118A, B120A, B118B, B122A, BH122A, BH122S
Carlson	LV Bracket	Nonmetallic	SC100A
Carlson	Old Work box	Nonmetallic	BH118R
Raco	1-Gang Ring	Metal	771, 8771, 772, 8772, 773, 8773, 768, 8768
Steel City	1-Gang Ring	Metal	52 C 13, 52 C 14, 52 C 14 5/8, 52 C 15, 52 C 16

Note: other back box models can be compatible with hidden screw plates. If you would like to use a back box that is not in the above list, please contact Meljac North America.