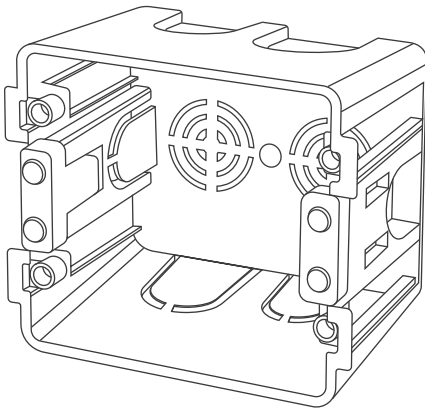


# PLASTIC BACK BOXES: OVERVIEW & INSTALLATION

## CLASSIQUE, ELLIPSE, DAMIER AND PIERROT COLLECTIONS - LOW VOLTAGE ONLY

### OVERVIEW

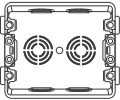

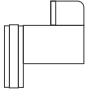

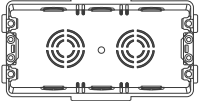
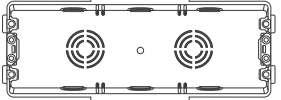
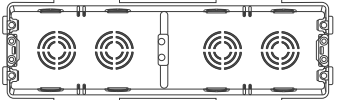


Old work / "cut-in" style boxes for use in drywall or masonry.

Drywall installation requires use of MELKIT adapter.

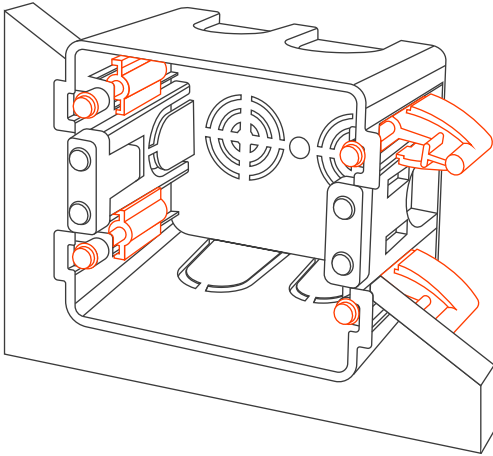
When using Meljac plastic back boxes with a contact closure interface, back of the box may be removed to provide additional depth.

Meljac products ordered for plastic back boxes are supplied with wood screws. For visible screw plate construction, screws are finished to match cover plate.

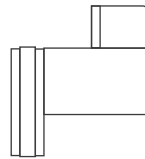
Back Boxes	Part References	Compatibility with Plates	Overall Dimensions	Mounting Accessory
	MEL8080 (Blue)	80 x 80 x 3 mm and Ø 98 x 3 mm	L.71xW.69xD.50 mm Screws interaxis 60 mm	Kit for adaption in dry partition   x 4   x 4
	MEL11580 (Gray)	115 x 80 x 3 mm	L.97xW.69xD.50 mm Screws interaxis 88 mm	
	MEL14280 (Red)	142 x 80 x 3 mm	L.128xW.69xD.50 mm Screws interaxis 117 mm	
	MEL20580 (Green)	205 x 80 x 3 mm	L.190xW.69xD.50 mm Screws interaxis 180 mm	
	MEL26780 (Pink)	267 x 80 x 3 mm	L.252xW.69xD.50 mm Screws interaxis 242 mm	

## MELJAC PLASTIC BACK BOXES - INSTRUCTIONS:

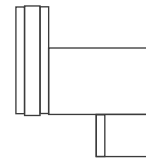
### DRYWALL INSTALLATION



Select the appropriate orientation of white mounting fasteners according to the thickness of the drywall.

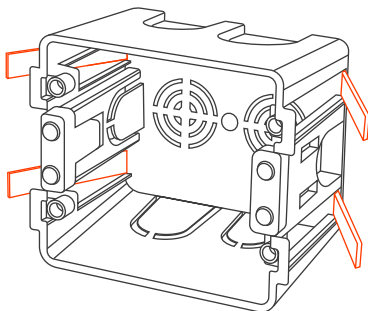


≤3/8" ~23 mm



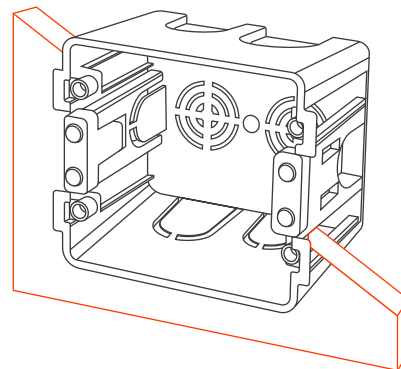
1/2" - 1 6/16" (13 - 35 mm)

**01. Remove the strips from each side of the back box.**



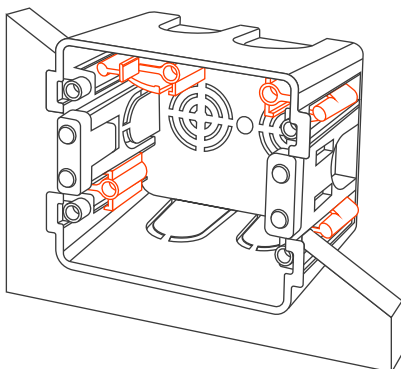
**02. Put the back box into the planned space.**

Cutout space in back box according to the overall dimensions noted on the back of box.



**03. Insert the white legs in the 4 corners in the way which suit.**

See Detail 1.



**04. Screw until box is firmly fastened to the wall surface.**

A manual screwdriver is recommended to avoid excessive tightening to the wall surface.

