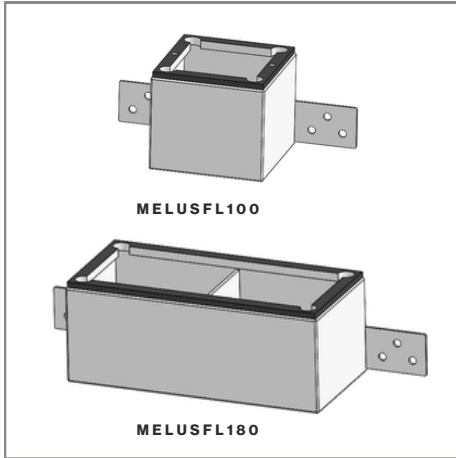


Floor Outlets



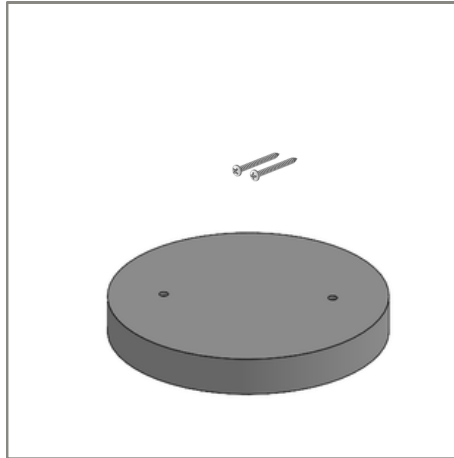
BACK BOX

MELUSFL100

for use with single-round and single-square trim plates

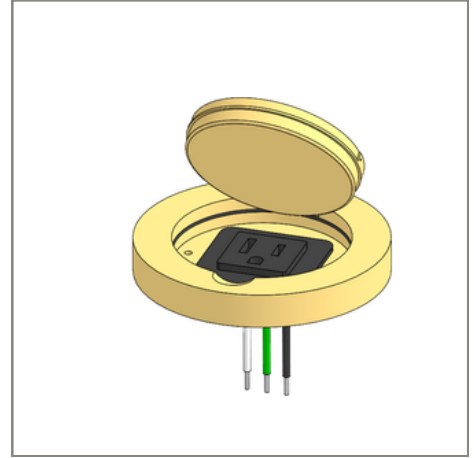
MELUSFL180

for use with double trim plates



INSTALLATION TEMPLATE

Includes 2 qty screws to mount the template to the electrical box



TRIM PLATE + RECEPTACLE OR PORT

Trim plate and power receptacle or low voltage ports are delivered as a complete assembly

Note: trim plate

LINE VOLTAGE

Flush-mount outlets for floor or wall applications.
Can be used in a damp location with cover closed.

SAFETY WARNINGS

Turn off power at breaker
Install by qualified electrician
Follow local electrical codes
Do not connect to dimmer systems

PLATE CARE

Remove plate during floor work
Do not apply tape or adhesives
Clean with dry cloth only

FLOOR OUTLET INSTALLATION GUIDE

FLUSH FLOOR INSTALLATION

ELECTRICAL CONFIGURATION

Connect prewired pigtails from trim plate assembly to main electrical line

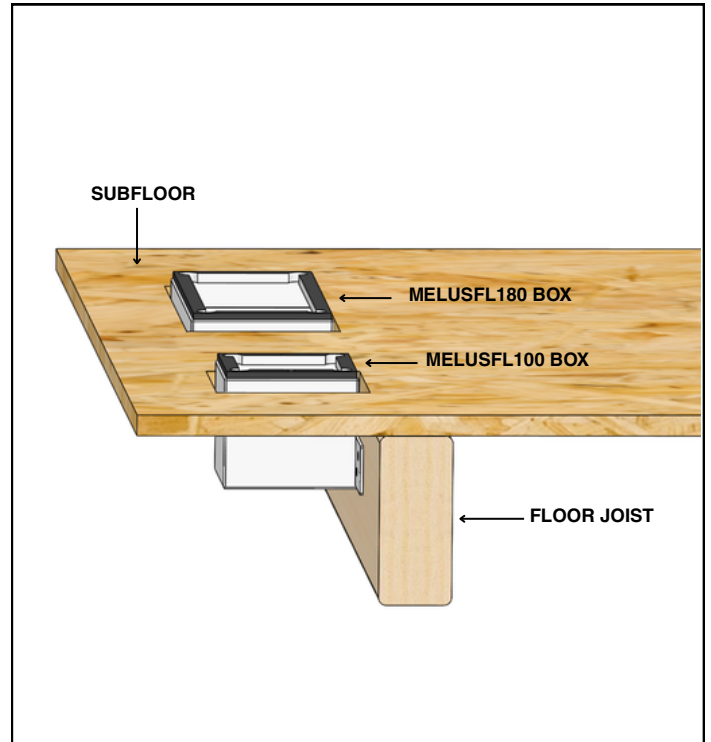
15A: 14 AWG pre-wire

20A: 12 AWG pre-wire

01

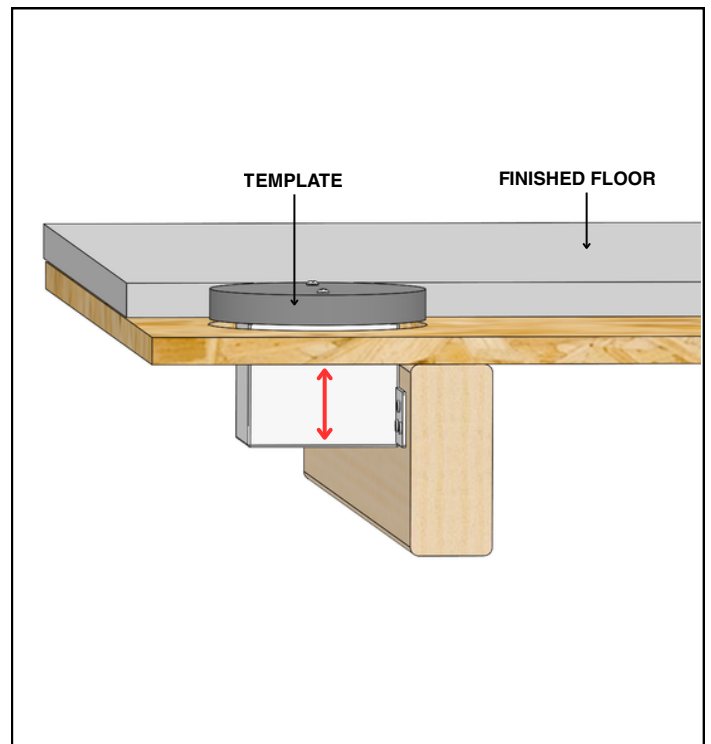
Cut opening in subfloor slightly larger than back box.

Note: Secure back box to adjacent floor joist or support



02

Attach installation template to electrical box. Set depth so template is flush with finished floor.

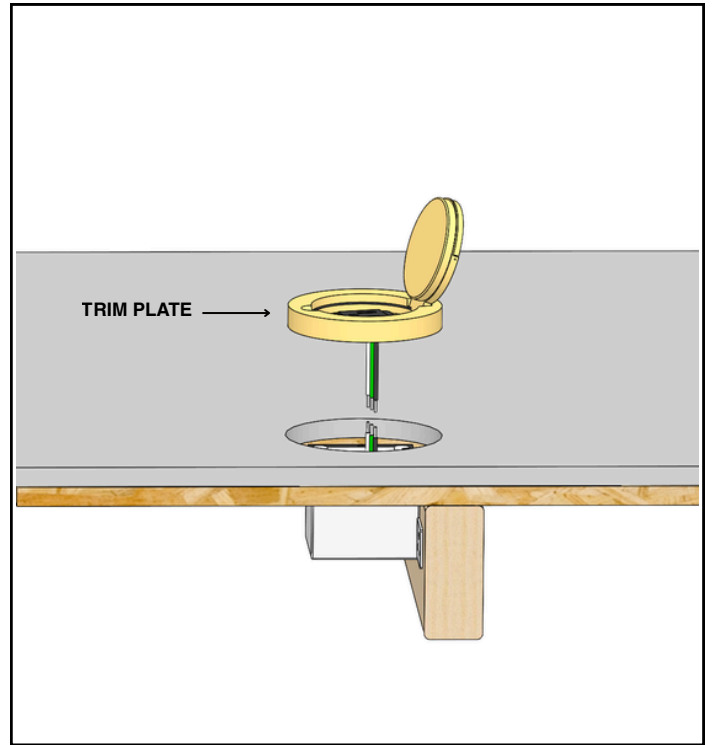


FLOOR OUTLET INSTALLATION GUIDE

FLUSH FLOOR INSTALLATION (CONT.)

03

Remove installation template after finished floor is installed. Connect trim plate wiring to main electrical line.



04

Secure plate to back box using supplied 6/32 screws (T10 Torx). Do not exceed 1 Nm (8.7 in-lbs).

Optional: Apply sealant around trim plate to prevent moisture

